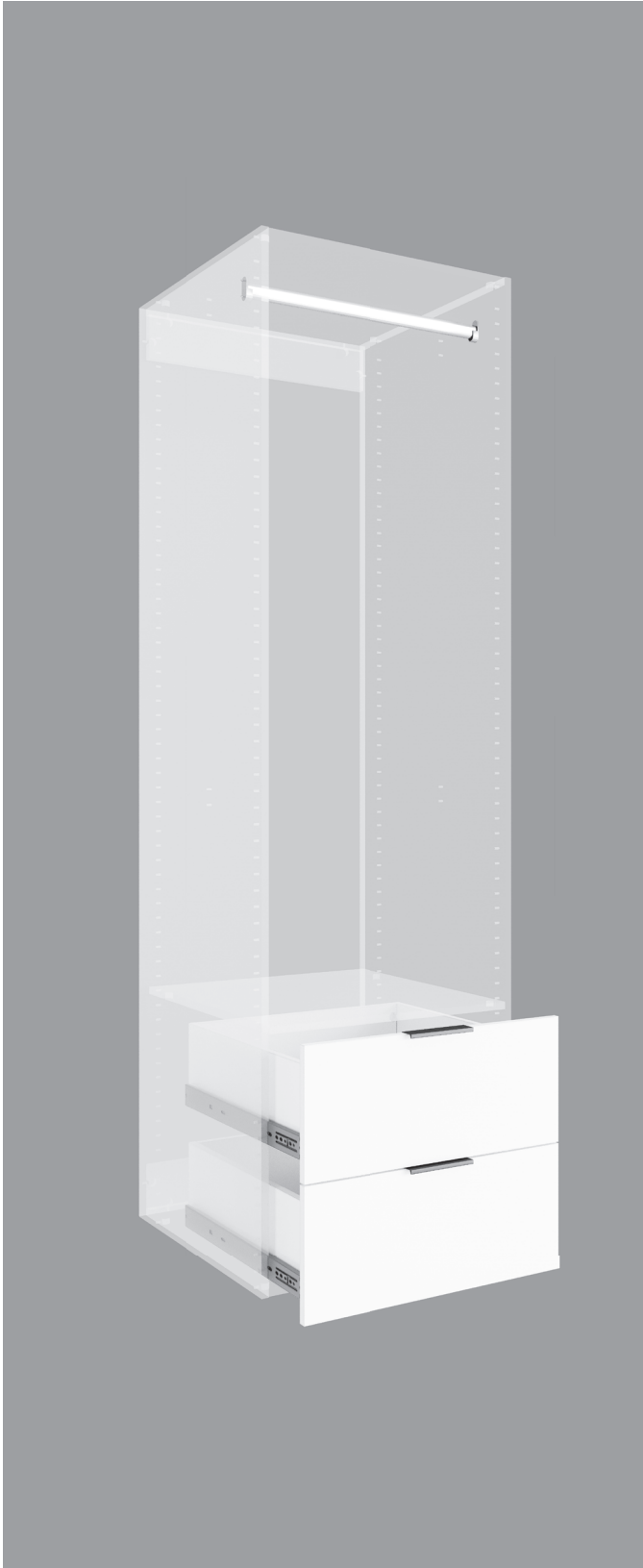


LUGNA

FORM & FUNCTION



ASSEMBLY INSTRUCTIONS

Drawer & Hangrail Insert Kit

Fits to matching Cabinet Shell

2 Soft Close Drawers

1 Hangrail

LUGNA understands the importance of timeless style and practical durability for a home's form and function. Our European-inspired collection is simple and easy to use, with five modern colours that complement any style and space. LUGNA's modular system allows for endless configurations and additions, with various-sized cabinets, drawers, shelving, and hinged doors that can be combined to create a bespoke look on any budget. Whether you're looking for something modern and sleek or classic and elegant, LUGNA has something for everyone.



SCAN for
more info



What you will need

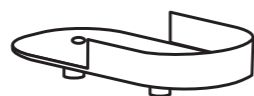


Includes



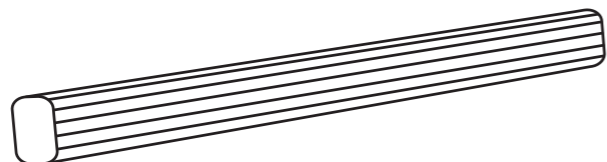
2x

Screws



2x

Hangrail Brackets

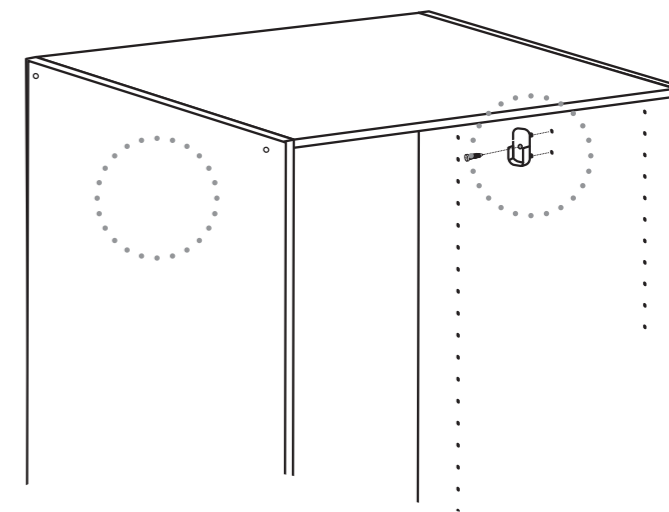
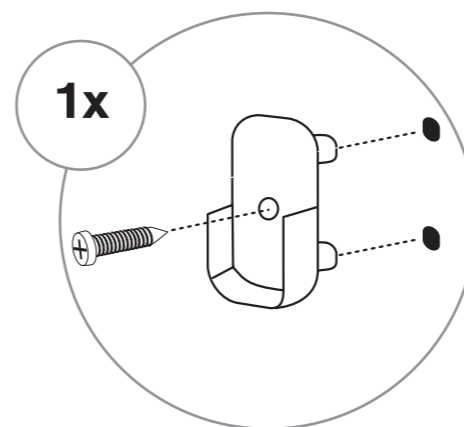


1x

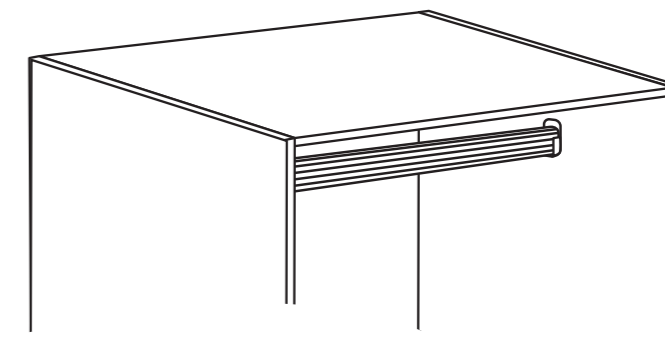
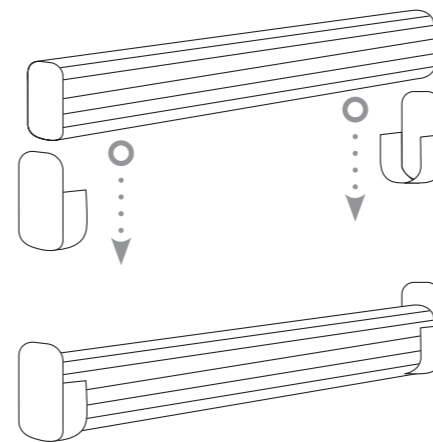
Hanging Rails

Cabinet Shell

STEP 1

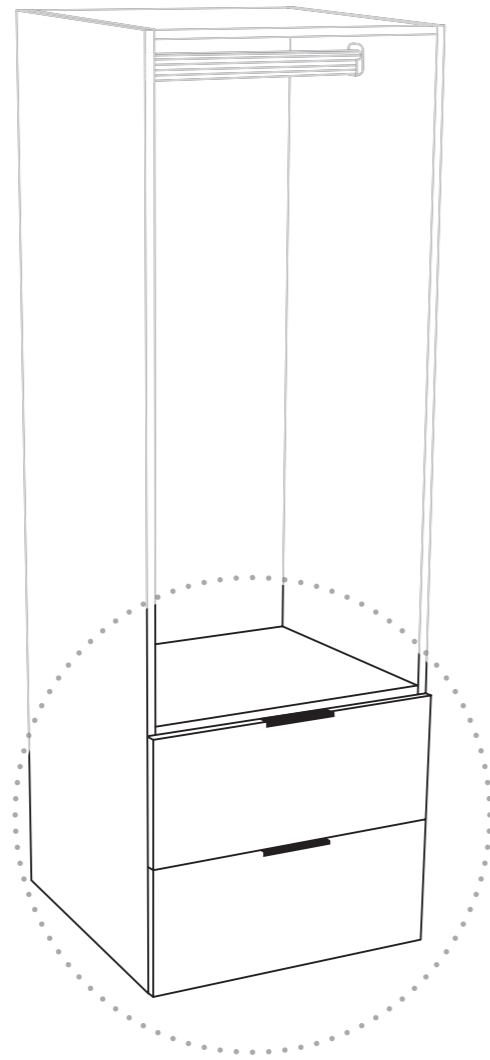


STEP 2



Soft Close Drawers

Includes



16x

Cam Lock Screws



16x

Cam Lock Nuts



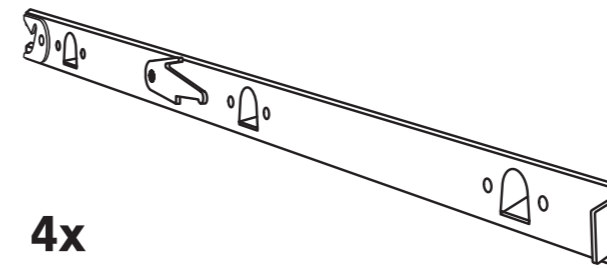
8x

Screw



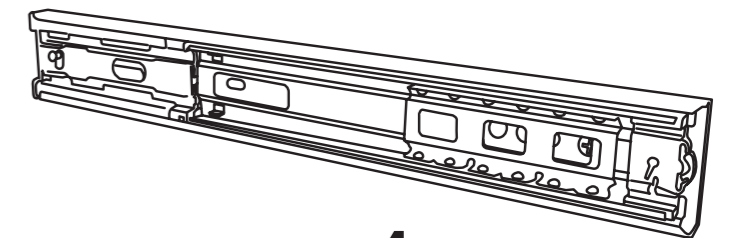
8x

Screw



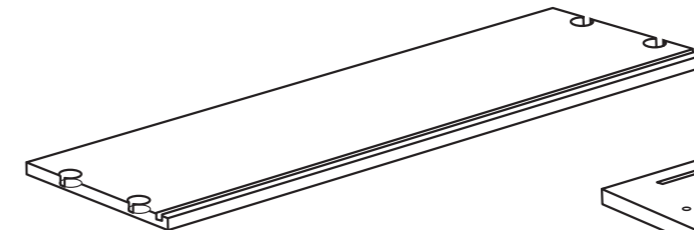
4x

Drawer Runners - Left & Right



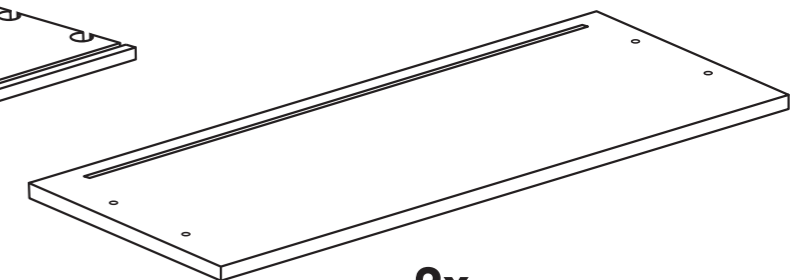
4x

Cabinet Sliders



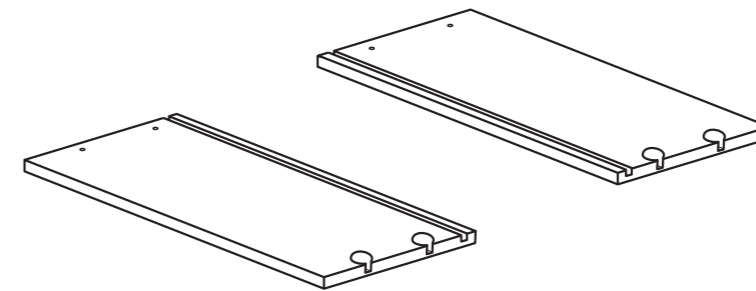
2x

Back Panel



2x

Front Panel

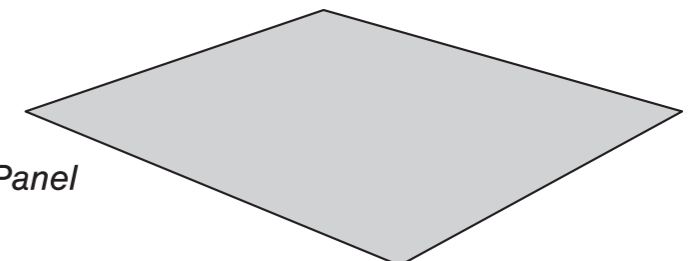


4x

Side Panels - Left & Right

2x

Bottom Panel



STEP 1

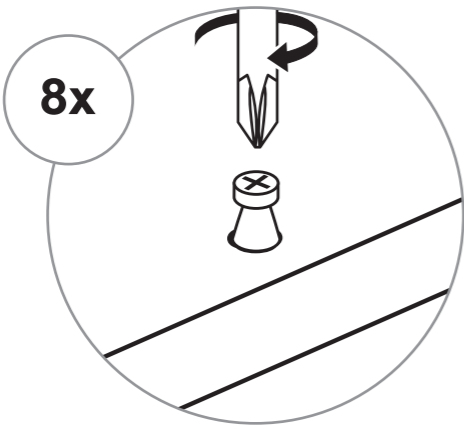


x

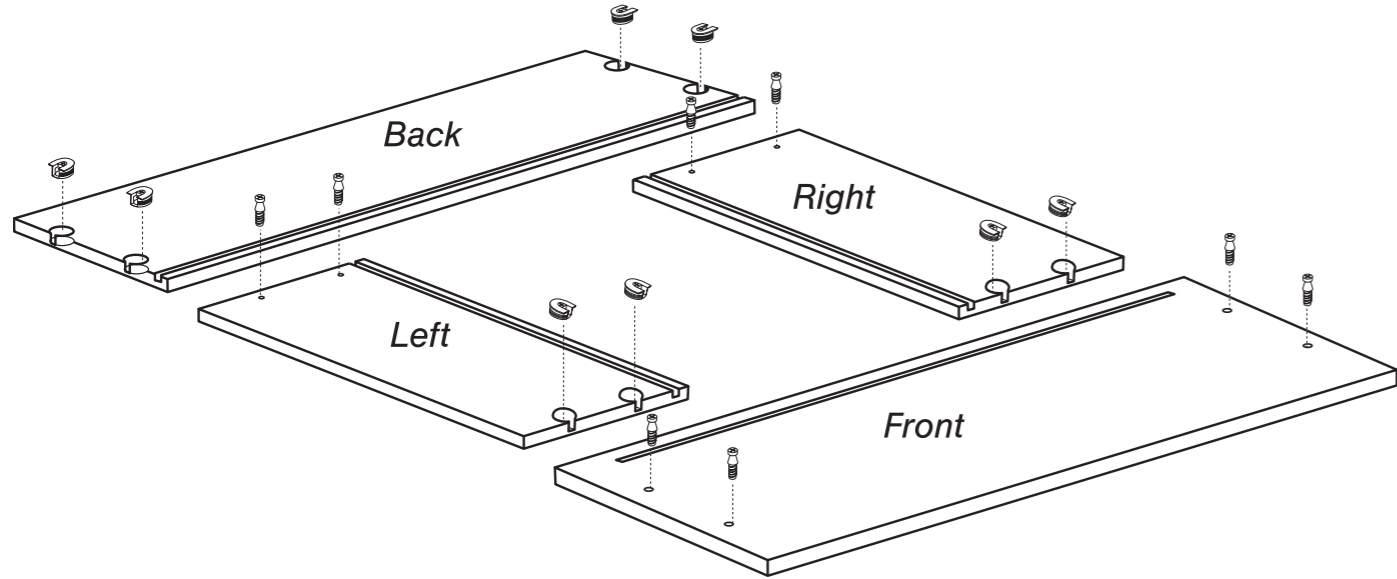
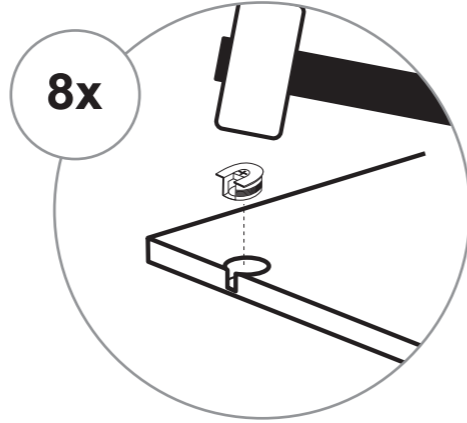


8x

8x



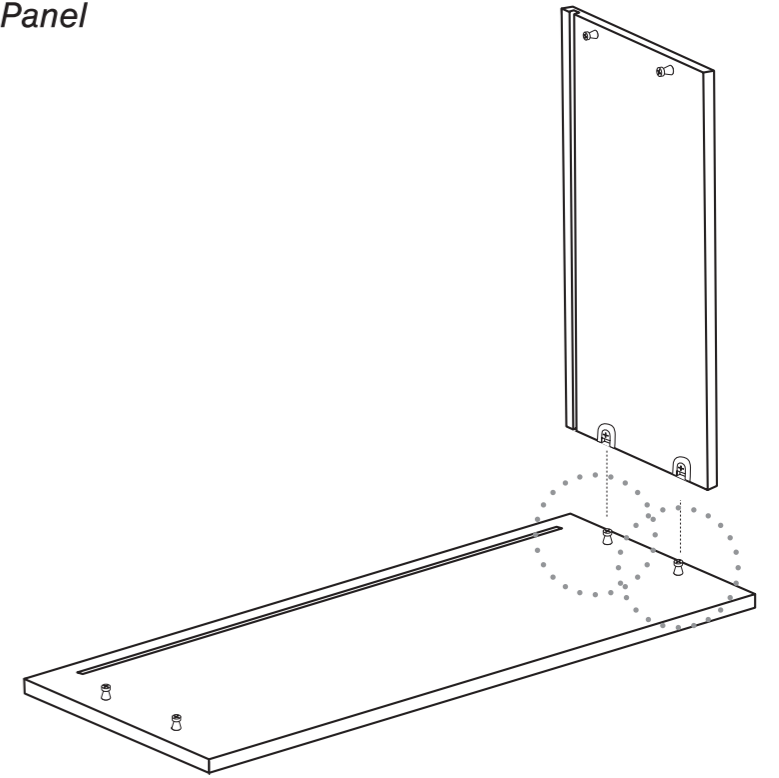
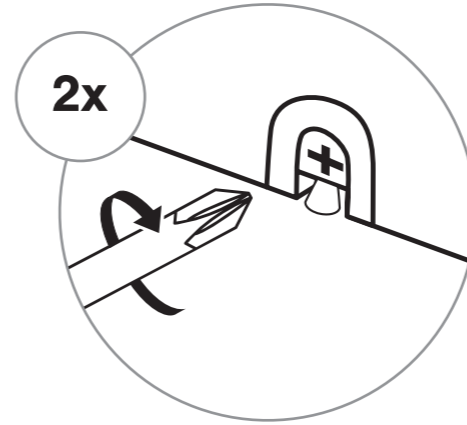
8x



STEP 2

1x *Right Side Panel*

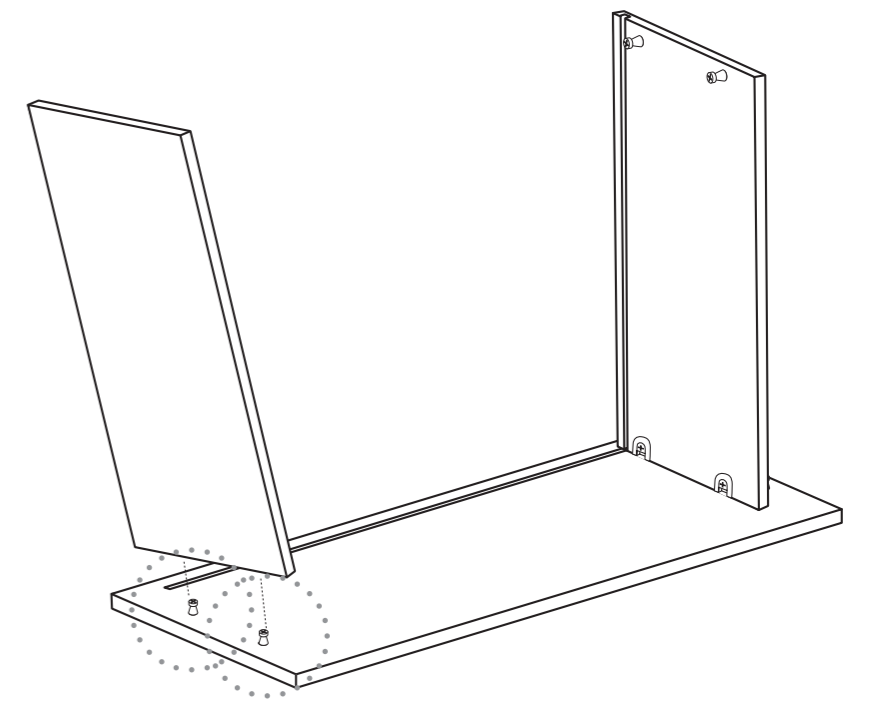
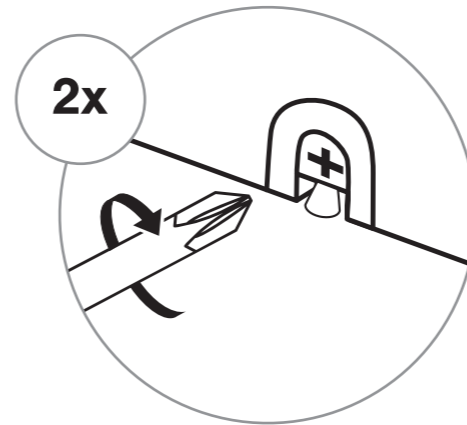
2x



STEP 3

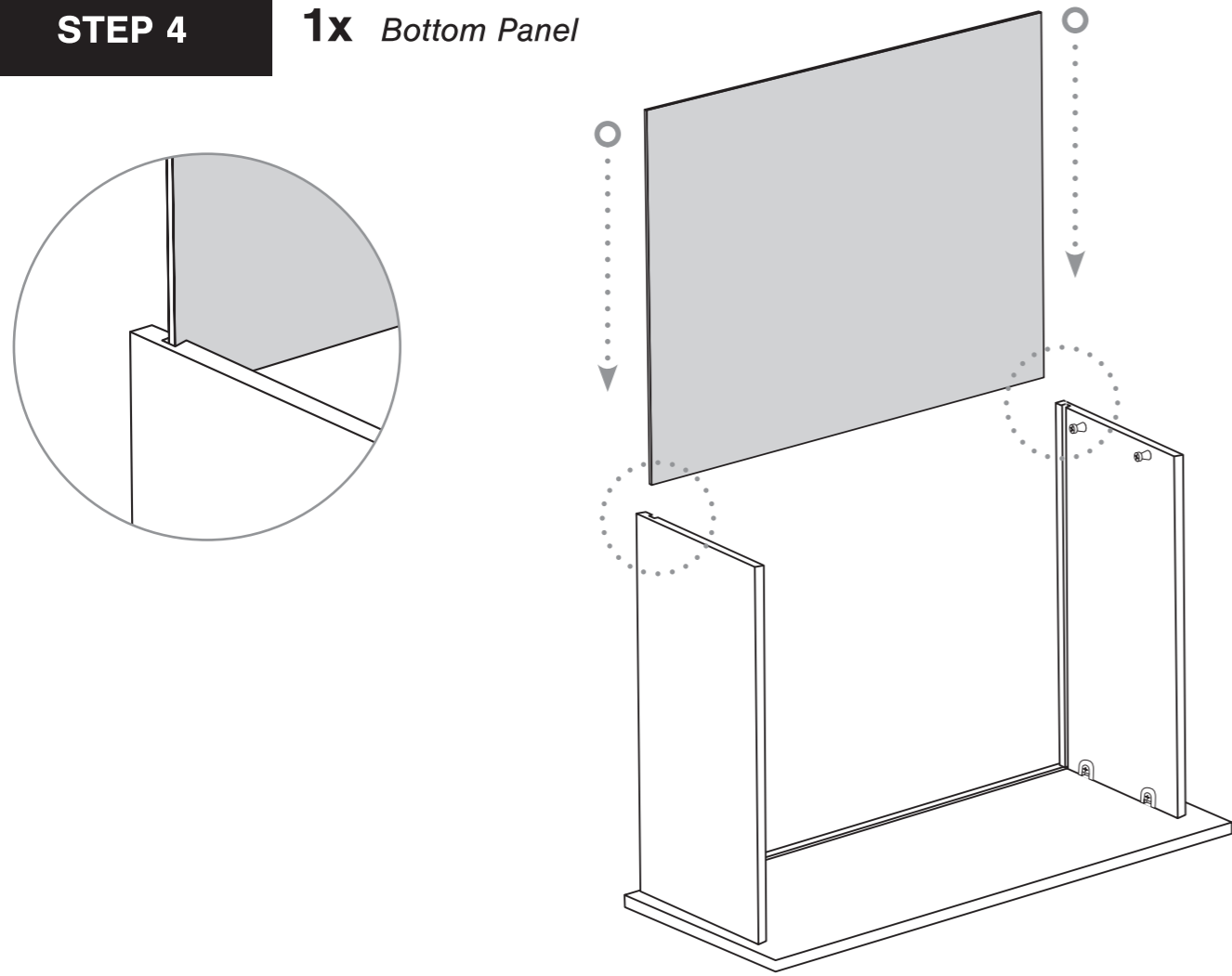
1x *Left Side Panel*

2x



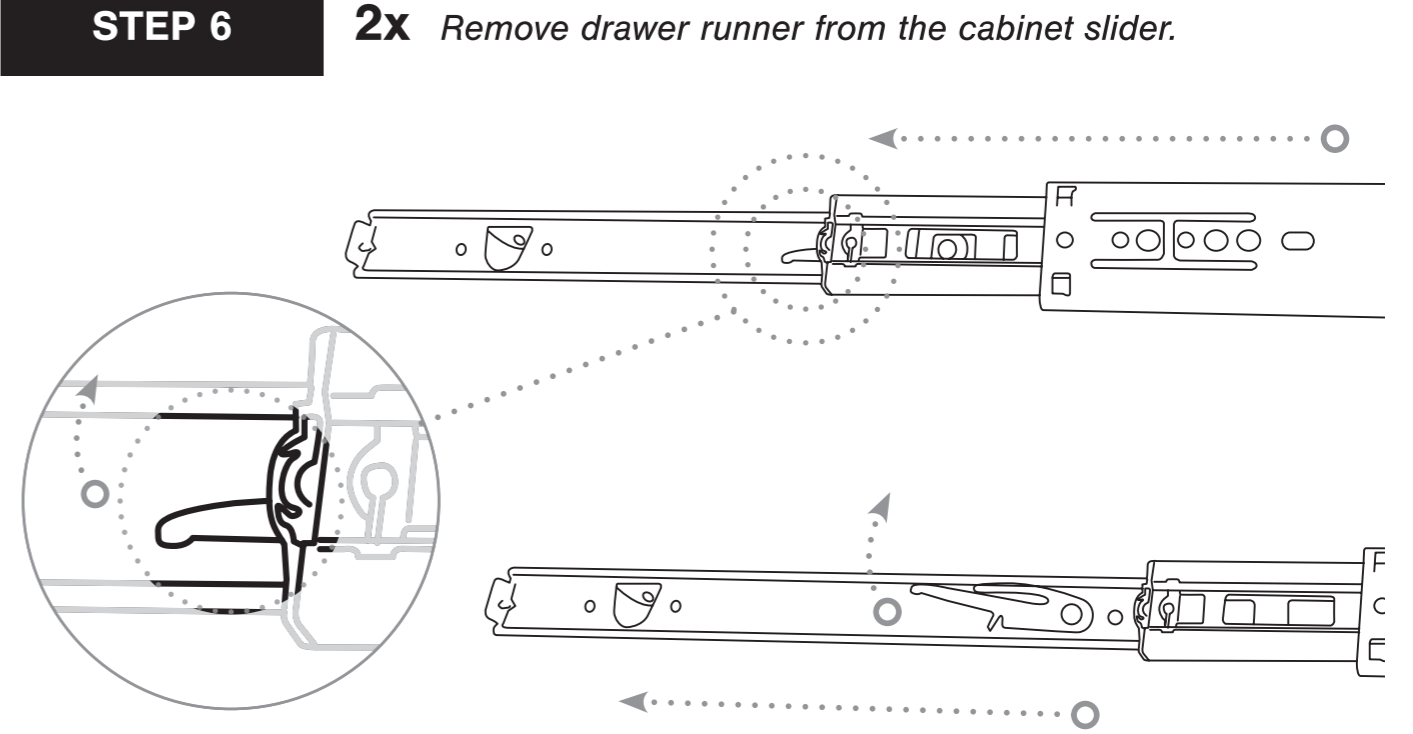
STEP 4

1x Bottom Panel



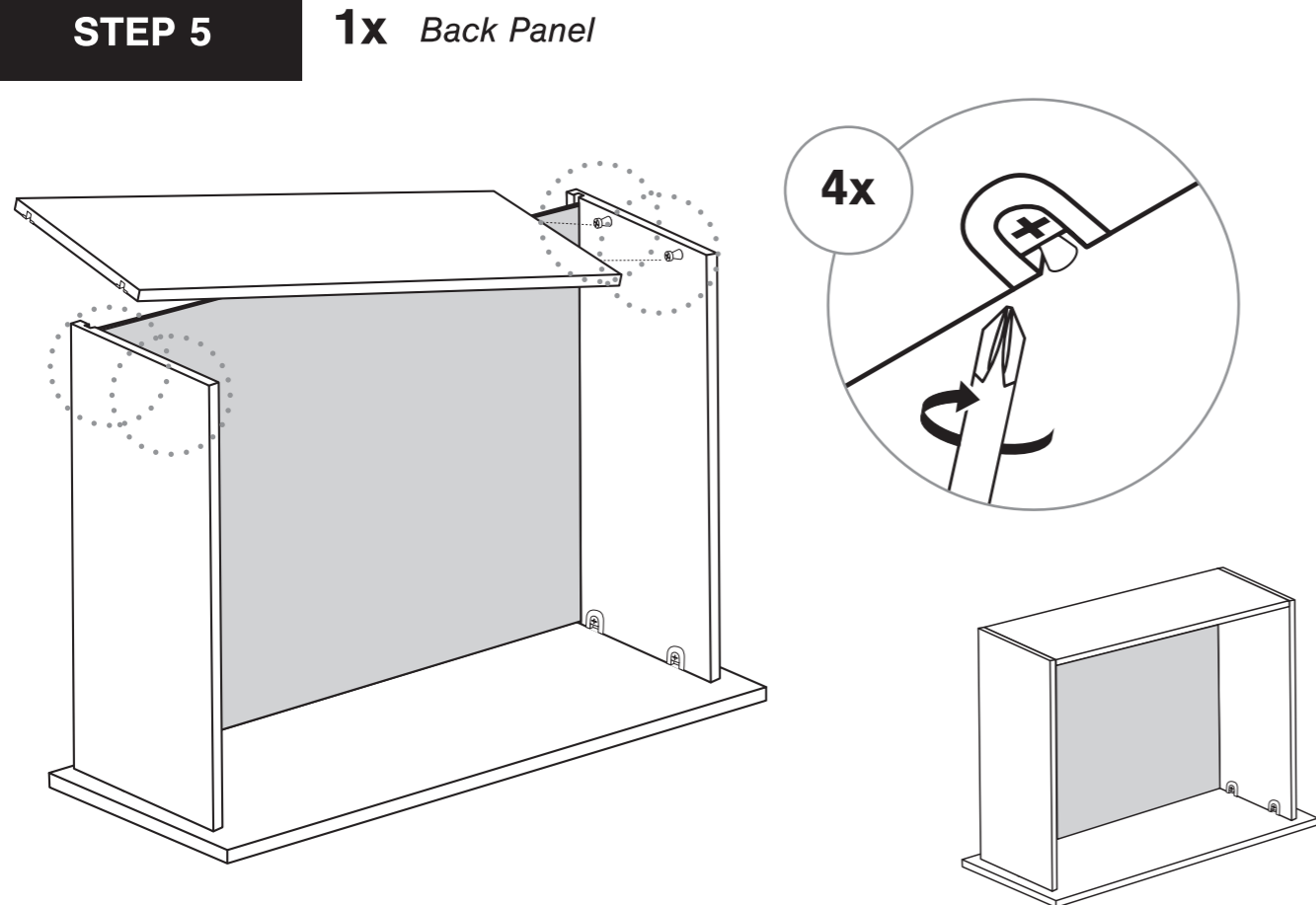
STEP 6

2x Remove drawer runner from the cabinet slider.

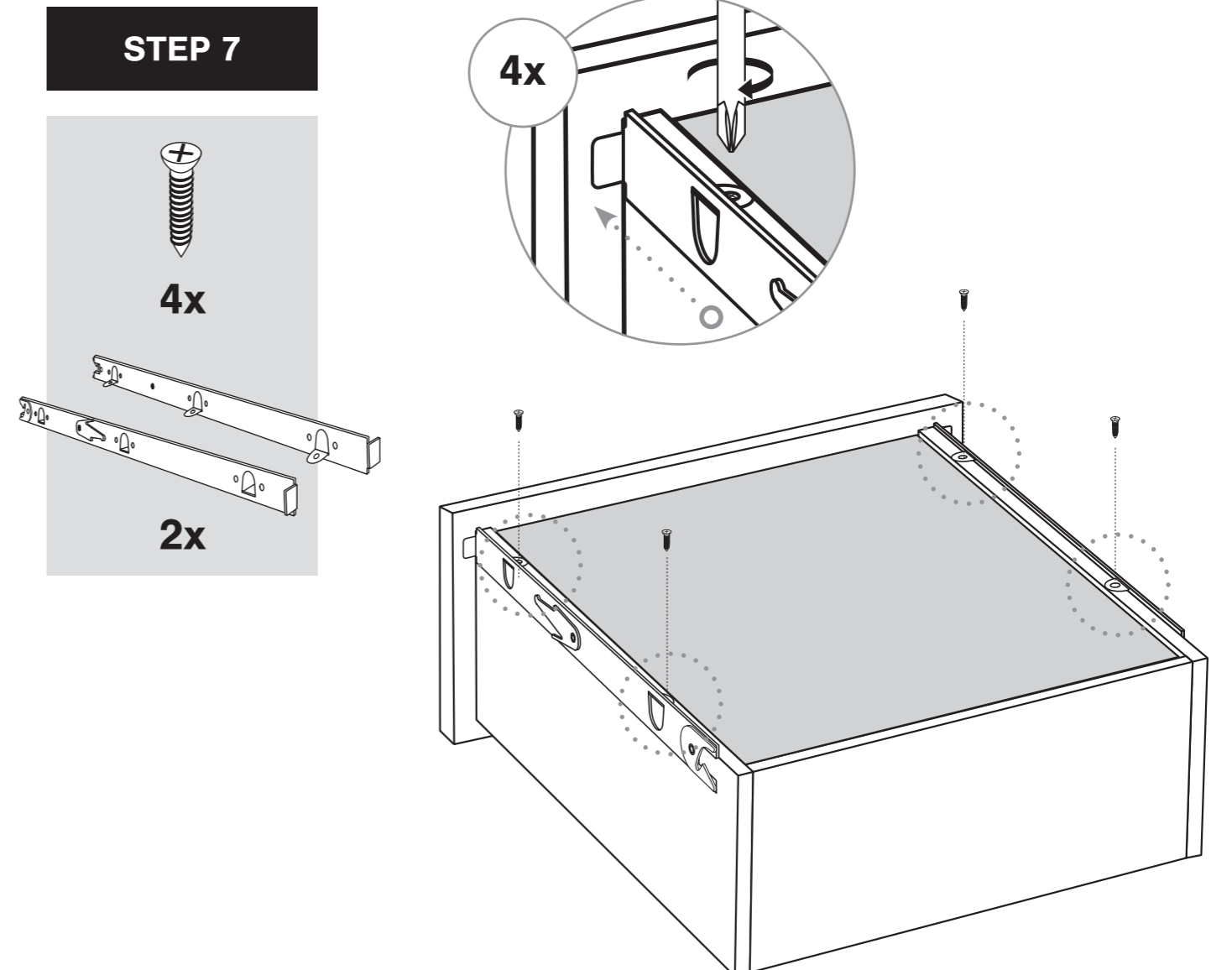


STEP 5

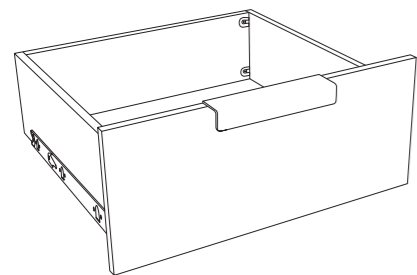
1x Back Panel



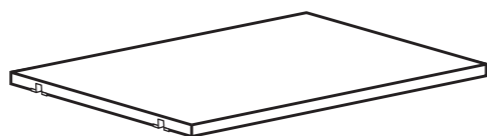
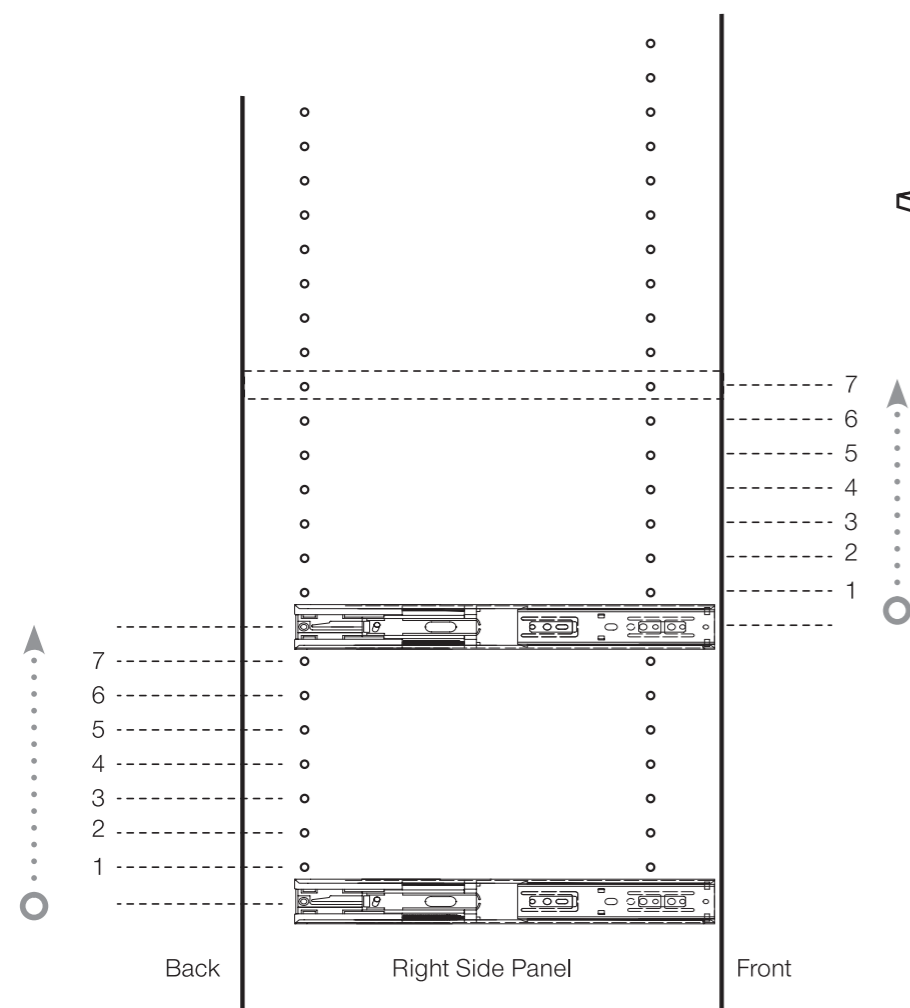
STEP 7



Drawer Cabinet Slider Positions



STEP 1

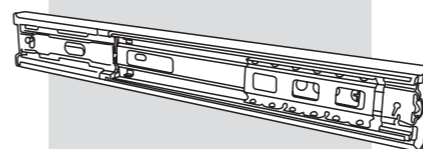


Adjust the position of the fixed shelf to the 7th hole above the last slider.

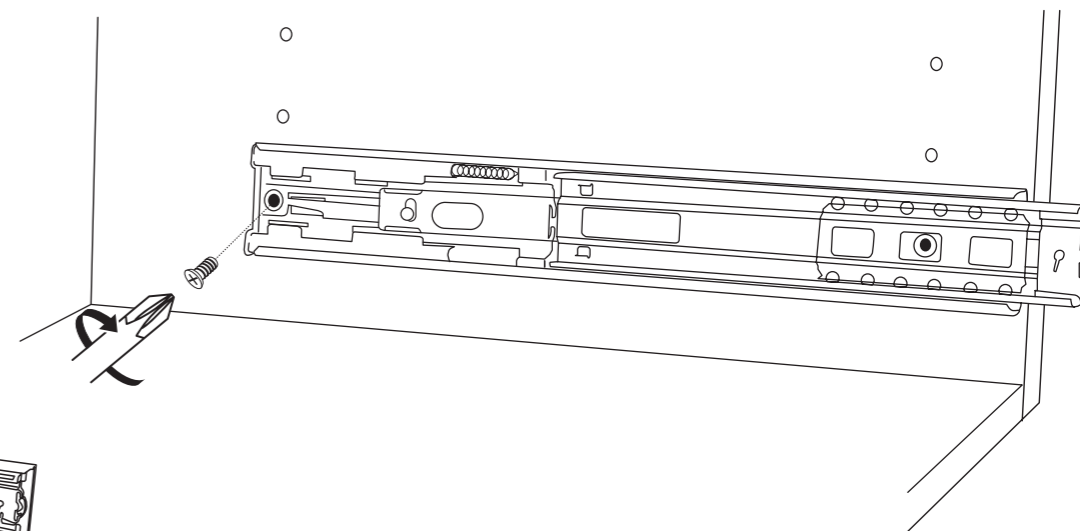
STEP 2



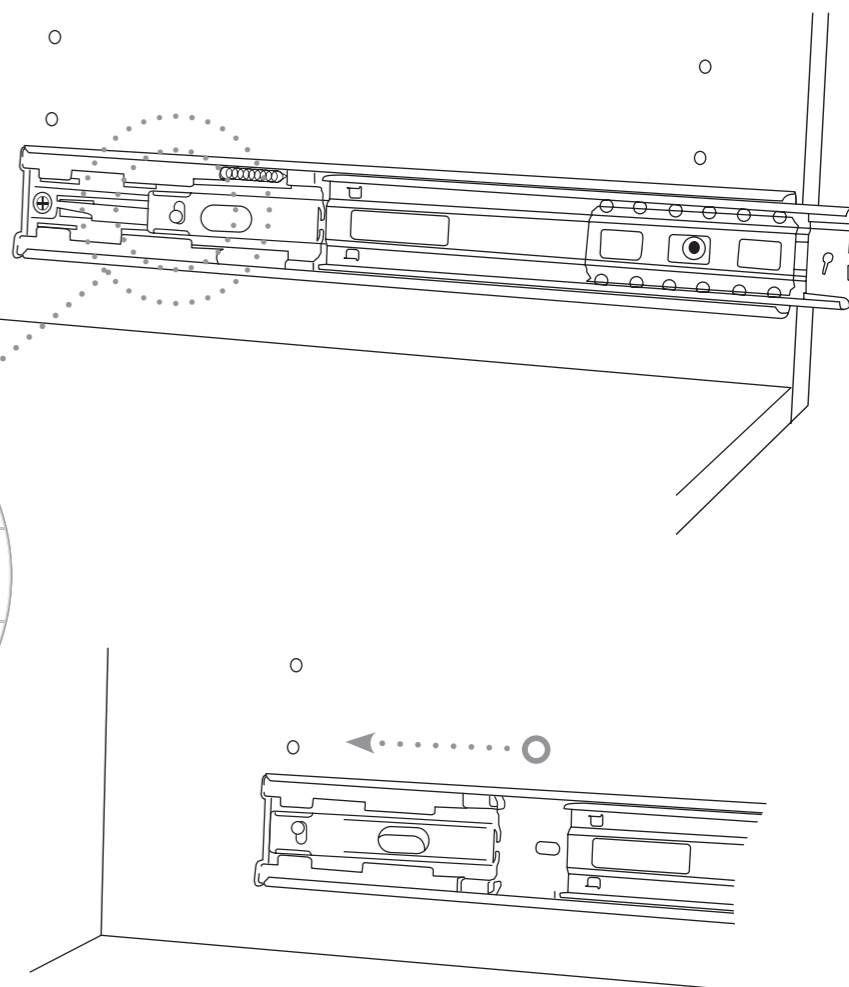
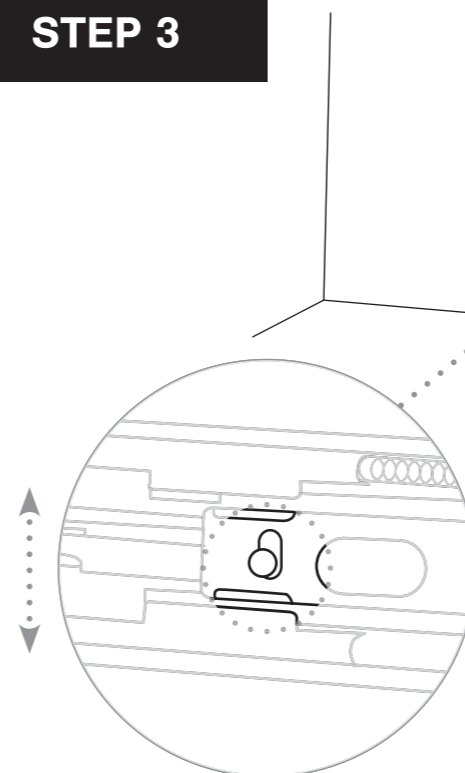
1x



1x



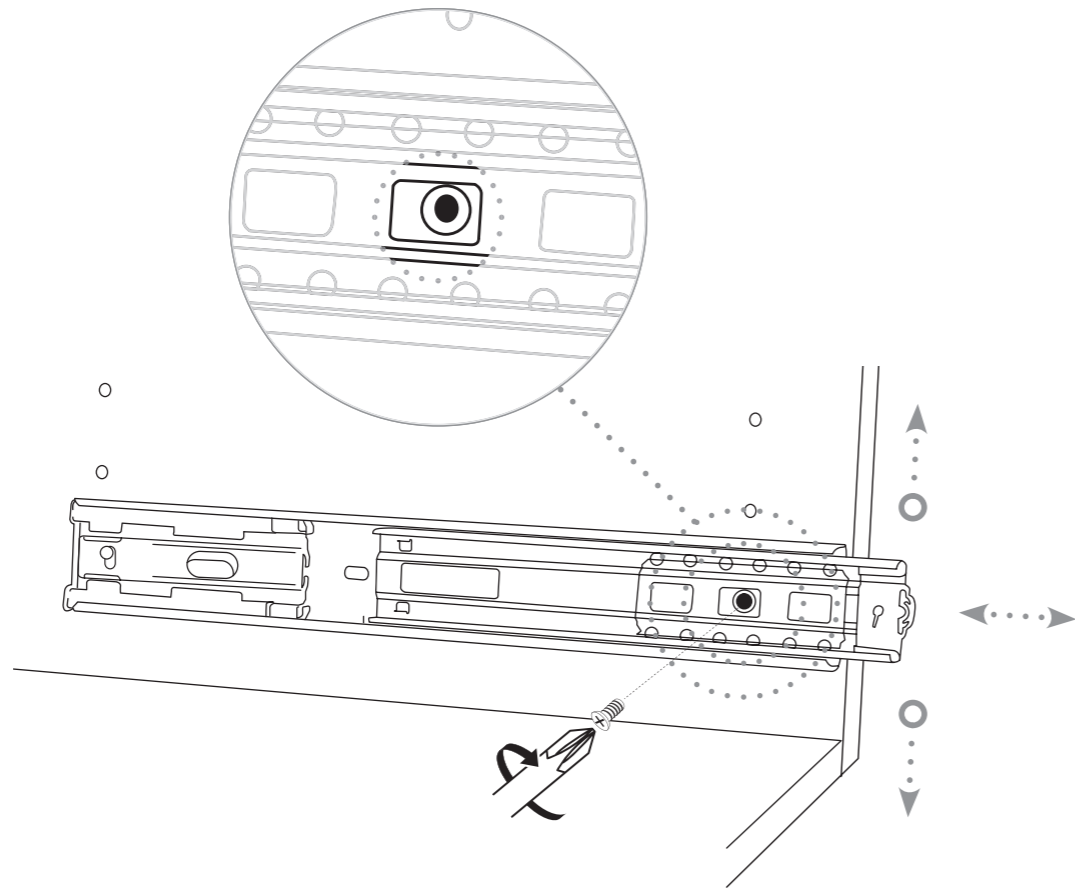
STEP 3



STEP 4



1x

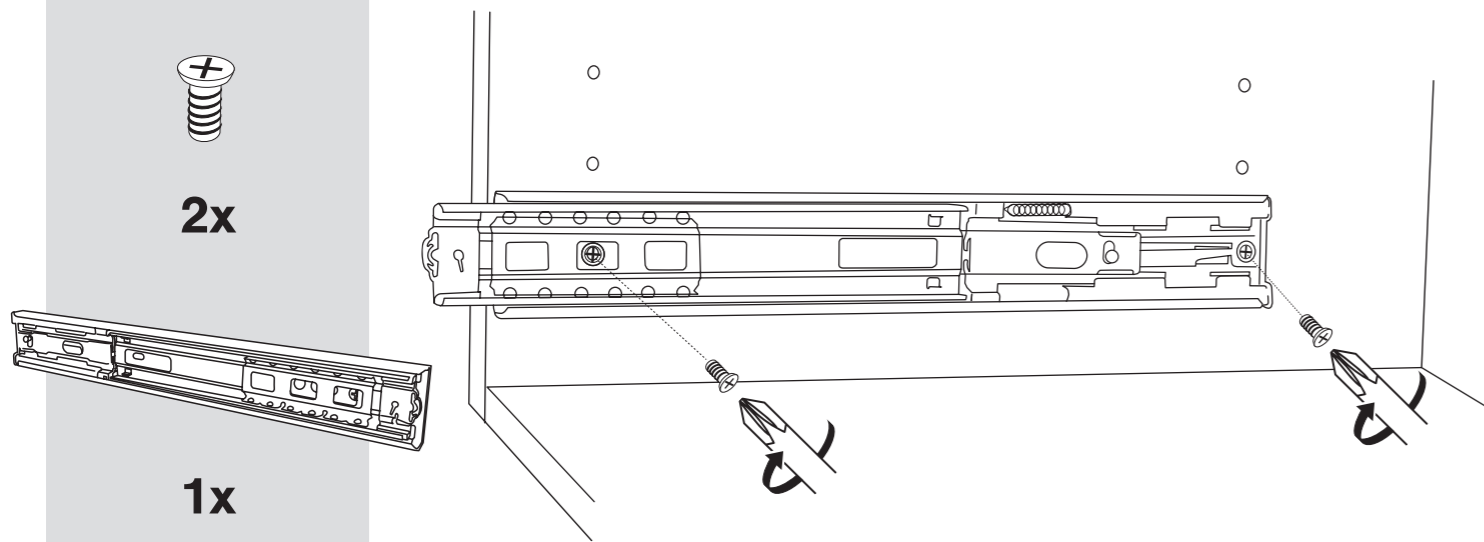


STEP 5

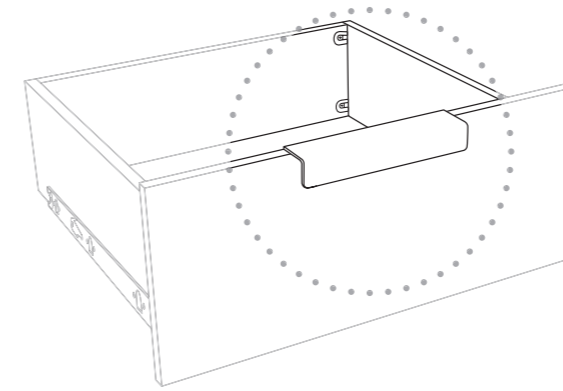


2x

1x



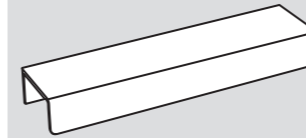
Drawer - Handle Attachment



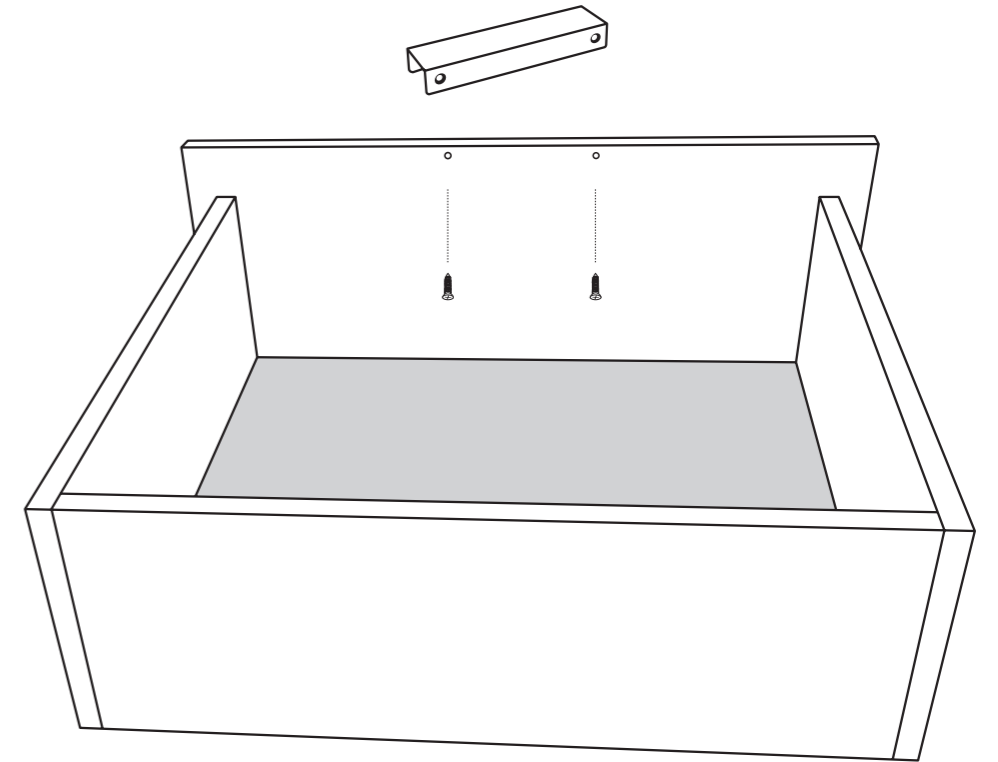
STEP 1



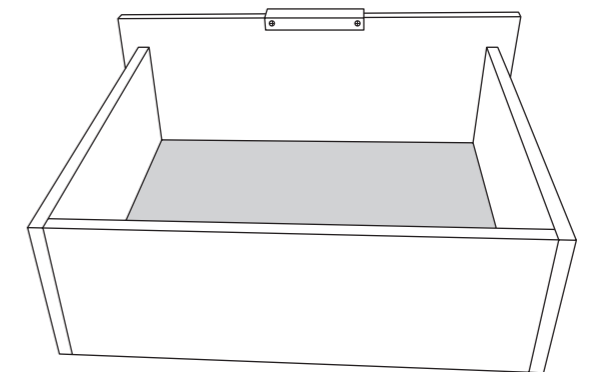
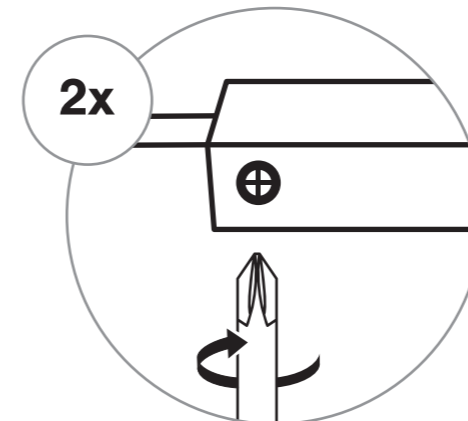
2x



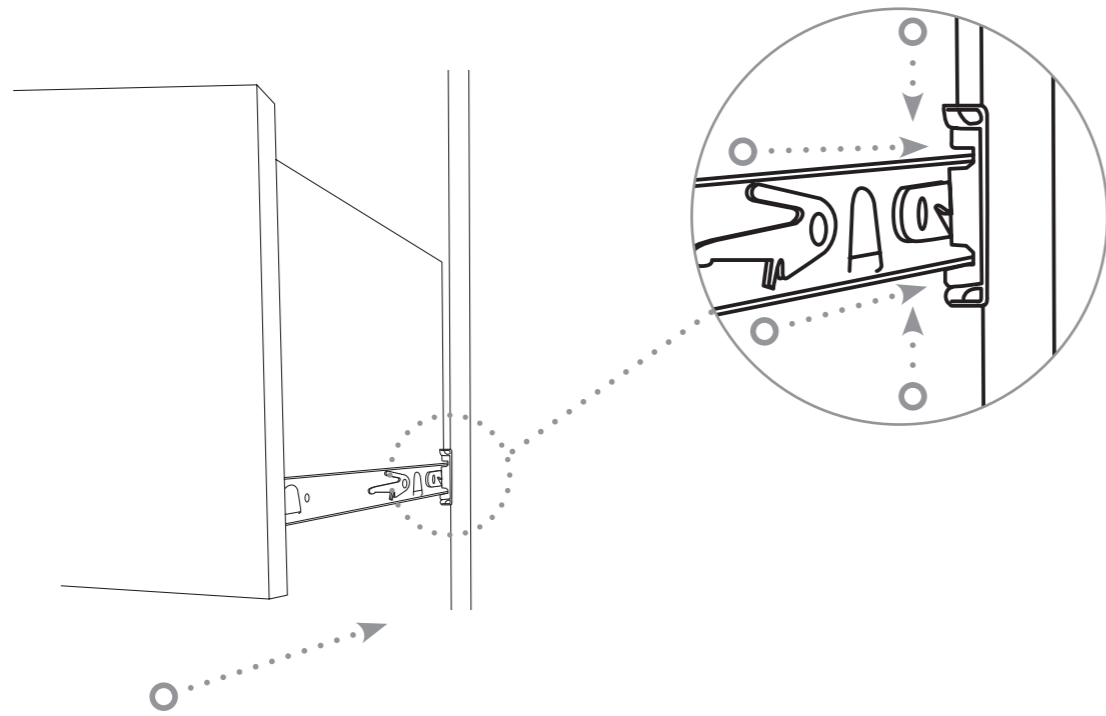
1x



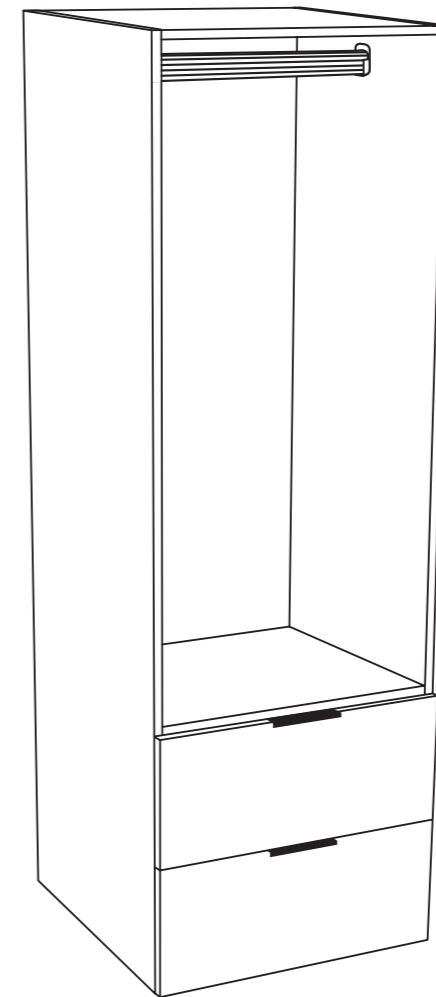
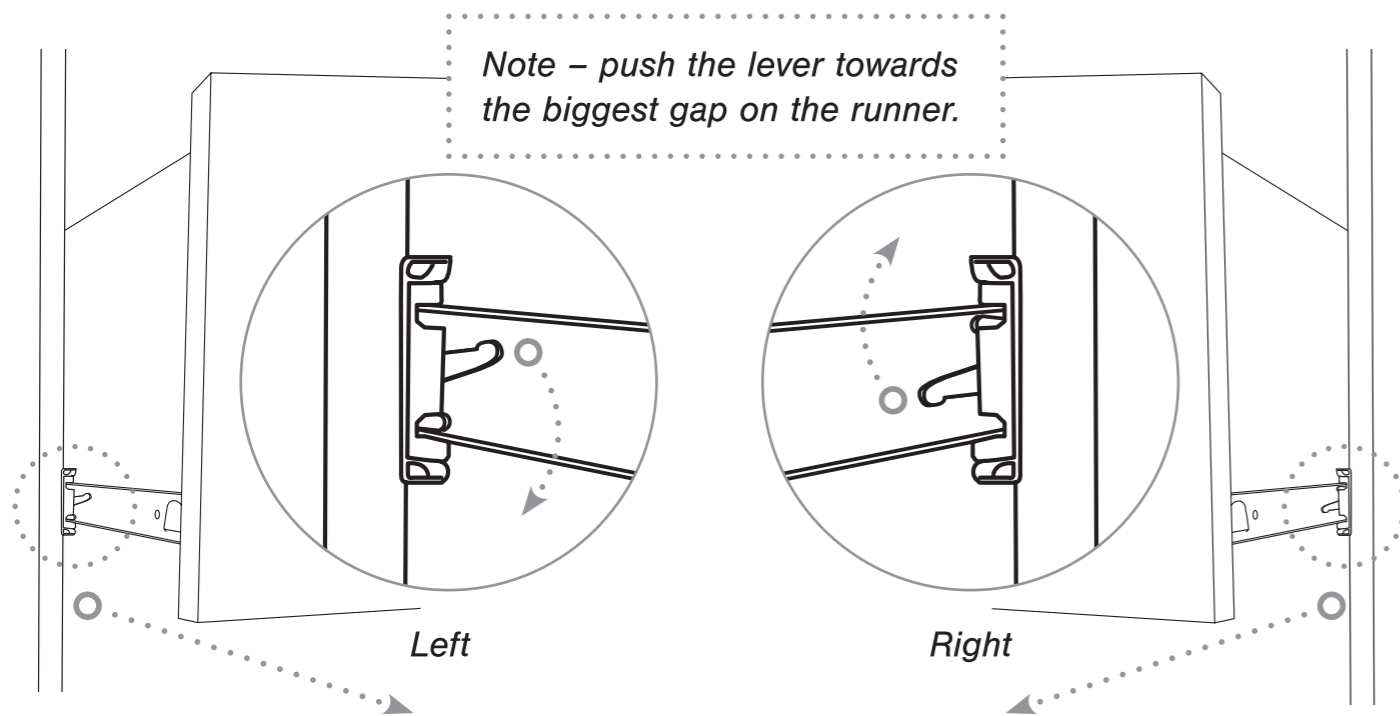
2x



Drawer Insertion



Drawer Removal



LUGNA

FORM & FUNCTION

CABINET CARE INSTRUCTIONS

Everyday care for your cabinets:

Liquid spills should be cleaned up as they occur. Liquids and other damp objects, i.e. towels, will eventually cause permanent damage should they be left unattended.

Everyday clean-up of cabinets can be done with a damp cloth and a dry cloth. Ensure you use a clean cloth every time when wiping down your cabinets, as foreign dirt, grease, and oils may inadvertently be transferred to the surface.

Cleaning melamine products:

Oils, grease, and other soils that do not respond to water can be removed with a solution of mild soap and water. The surface should be rinsed immediately with a clean, damp cloth and dried thoroughly with a soft cloth to avoid streaking or moisture seeping into the seams around the edges.

PLEASE NOTE: Never use abrasive cleaners, ammonia, bleaching agents, scouring pads or powdered cleaners on any type of cabinetry.

Cleaning cabinet hardware:

Brass and Silver cleaners are not recommended for cleaning handles. Some of these cleaning solutions contain harsh chemicals that may damage the finish on your handles.

Wash your hardware with a solution of warm water and a small amount of mild dish detergent. Dry your hardware and areas around the cleaned area immediately.

Hinges can be cleaned with a dry cloth or cotton-tipped swab.