

# LUGNA

FORM & FUNCTION



## ASSEMBLY INSTRUCTIONS

### Hangrail

TO SUIT SHELL WIDTH  
450mm

TO SUIT SHELL WIDTH  
600mm

TO SUIT SHELL WIDTH  
750mm

TO SUIT SHELL WIDTH  
900mm

*LUGNA understands the importance of timeless style and practical durability for a home's form and function. Our European-inspired collection is simple and easy to use, with five modern colours that complement any style and space. LUGNA's modular system allows for endless configurations and additions, with various-sized cabinets, drawers, shelving, and hinged doors that can be combined to create a bespoke look on any budget. Whether you're looking for something modern and sleek or classic and elegant, LUGNA has something for everyone.*



SCAN for  
more info

**10 YEAR**  
WARRANTY



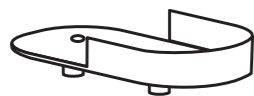
## What you will need



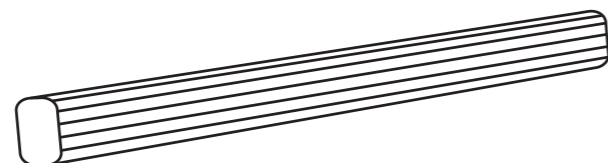
## Includes



**2x**  
Screws



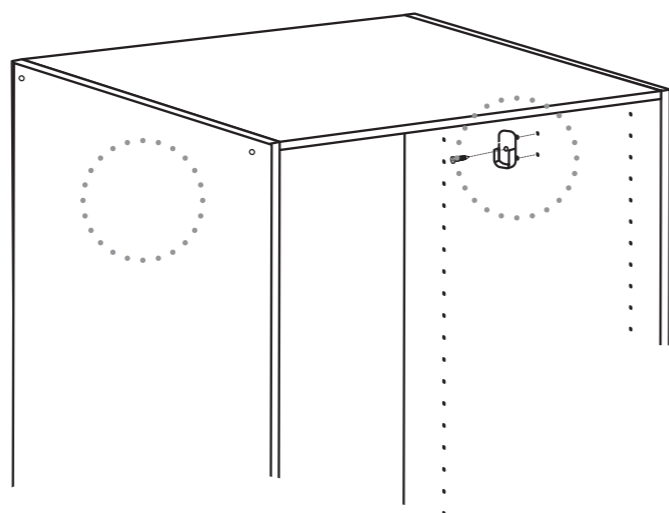
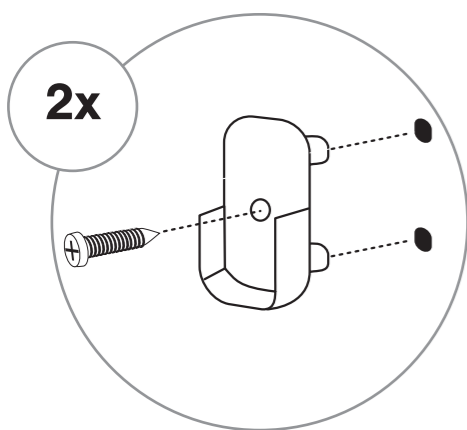
**2x**  
Hangrail Brackets



**1x**  
Hanging Rail

## Cabinet Shell

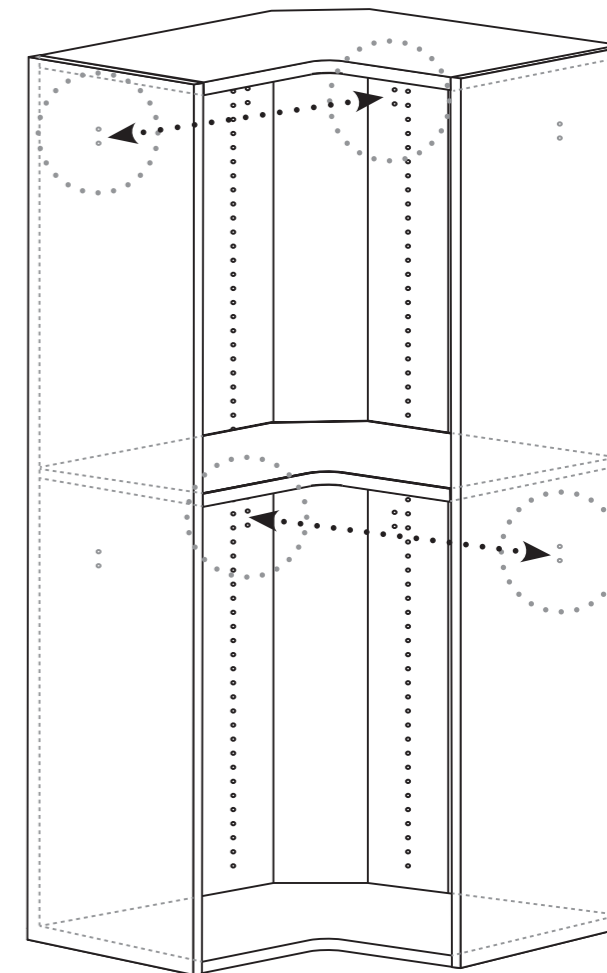
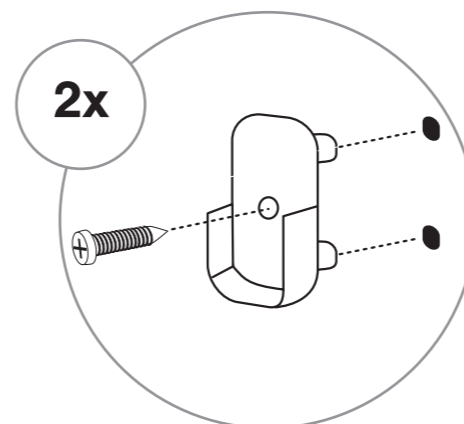
**STEP 1**



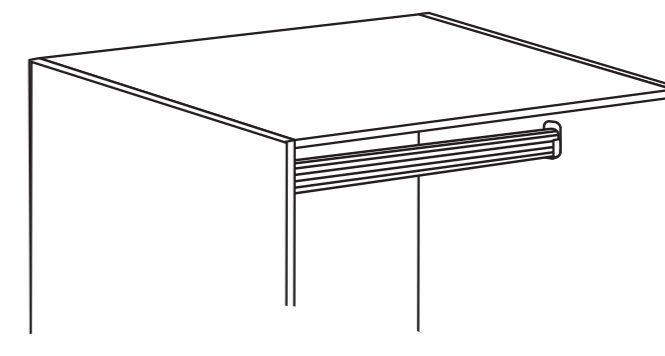
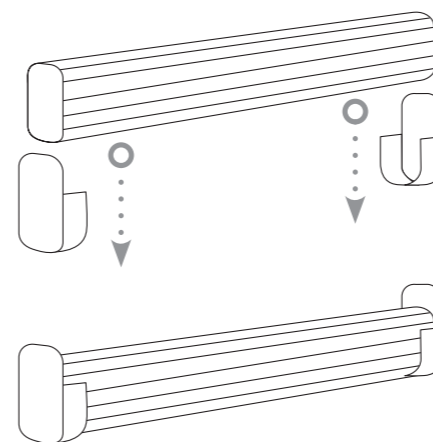
## Corner Shell

TO SUIT SHELL WIDTH  
900mm

**STEP 1**



**STEP 2**



# LUGNA

FORM & FUNCTION

## CABINET CARE INSTRUCTIONS

---

### **Everyday care for your cabinets:**

*Liquid spills should be cleaned up as they occur. Liquids and other damp objects, i.e. towels, will eventually cause permanent damage should they be left unattended.*

*Everyday clean-up of cabinets can be done with a damp cloth and a dry cloth. Ensure you use a clean cloth every time when wiping down your cabinets, as foreign dirt, grease, and oils may inadvertently be transferred to the surface.*

### **Cleaning melamine products:**

*Oils, grease, and other soils that do not respond to water can be removed with a solution of mild soap and water. The surface should be rinsed immediately with a clean, damp cloth and dried thoroughly with a soft cloth to avoid streaking or moisture seeping into the seams around the edges.*

**PLEASE NOTE: Never use abrasive cleaners, ammonia, bleaching agents, scouring pads or powdered cleaners on any type of cabinetry.**

### **Cleaning cabinet hardware:**

*Brass and Silver cleaners are not recommended for cleaning handles. Some of these cleaning solutions contain harsh chemicals that may damage the finish on your handles.*

*Wash your hardware with a solution of warm water and a small amount of mild dish detergent. Dry your hardware and areas around the cleaned area immediately.*

*Hinges can be cleaned with a dry cloth or cotton-tipped swab.*