

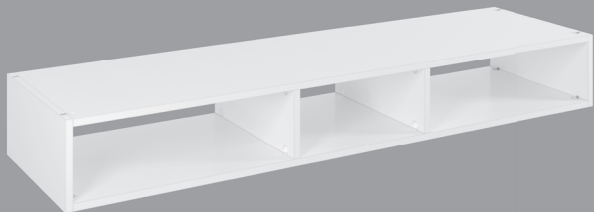
LUGNA

FORM & FUNCTION

ASSEMBLY INSTRUCTIONS

1x3 Cube Display Cabinet

HEIGHT 183mm	WIDTH 1406mm	DEPTH 390mm
-----------------	-----------------	----------------



LUGNA understands the importance of timeless style and practical durability for a home's form and function. Our European-inspired collection is simple and easy to use, with five modern colours that complement any style and space. LUGNA's modular system allows for endless configurations and additions, with various-sized cabinets, drawers, shelving, and hinged doors that can be combined to create a bespoke look on any budget. Whether you're looking for something modern and sleek or classic and elegant, LUGNA has something for everyone.

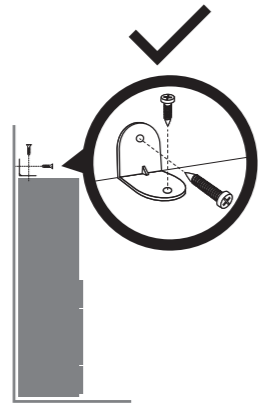


SCAN for
more info

10 YEAR
WARRANTY



⚠ WARNING



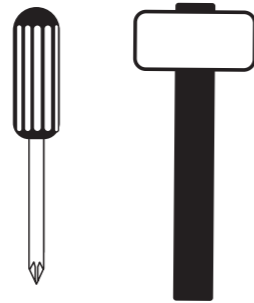
Children have died from furniture tipover.

- ALWAYS secure this furniture with an anchor device.
- NEVER allow children to stand, climb or hang on drawers, doors or shelves.
- Never open more than one drawer at a time.
- Place heavy items down low.

NEVER put a TV on this furniture.



What you will need



Includes



16x

Cam Lock
Screws



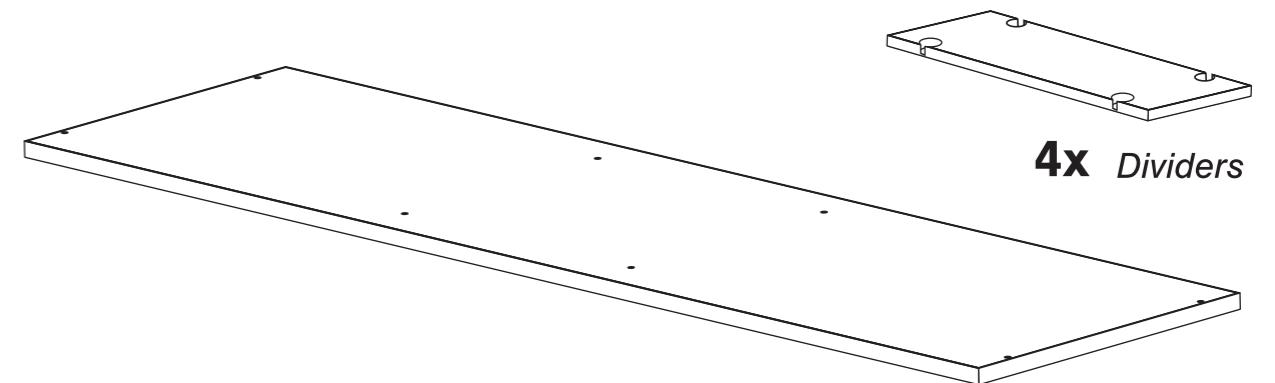
16x

Cam Lock
Nuts



1x

Safety
Bracket



4x Dividers

2x Top and Bottom

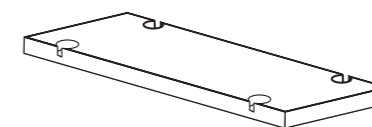
Serious injury or death can be caused by toppling furniture. Attach this unit to the wall using the safety bracket anchor device provided. Fix bracket to the middle of the unit with 16mm screw (provided) and use a suitable wall fixing (not supplied) to fix L-bracket to wall.

STEP 1

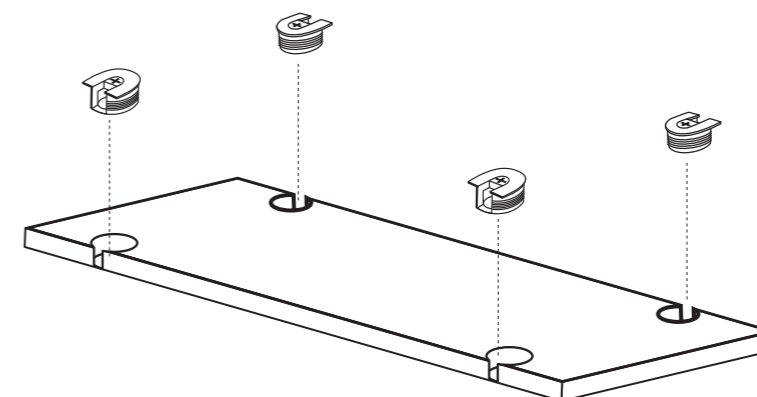
4x Dividers



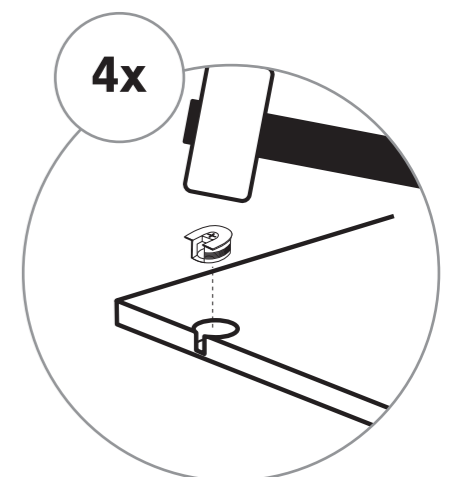
16x



4x



4x



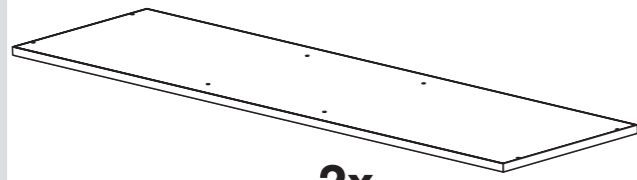
4x

STEP 2

Top and Bottom

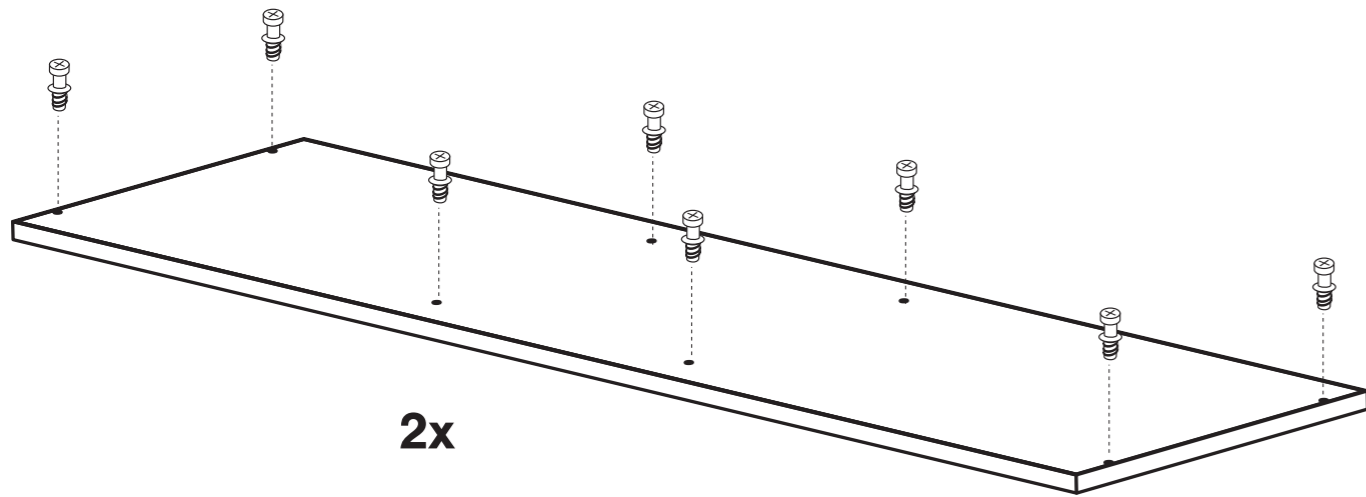
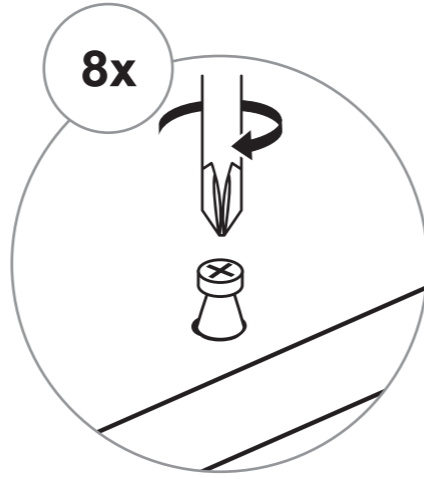


16x



2x

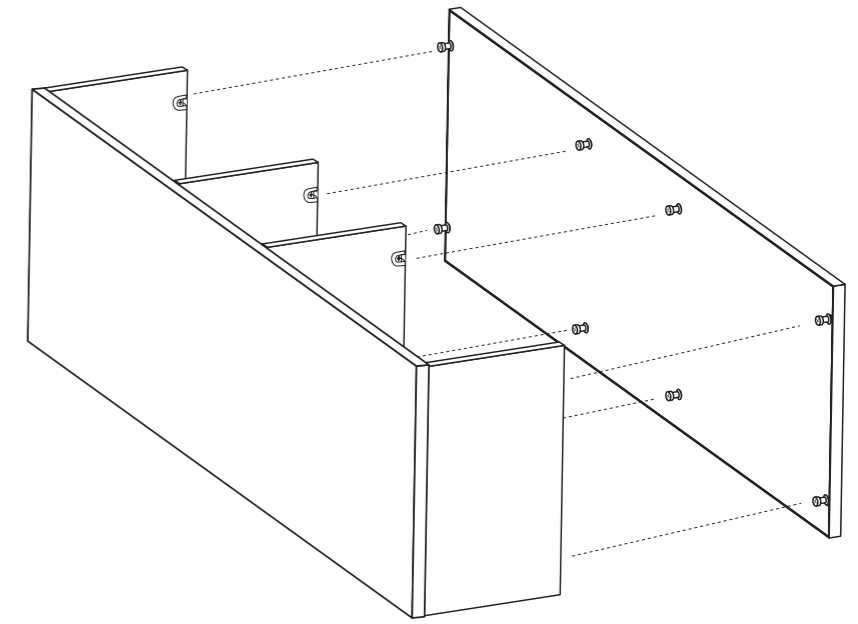
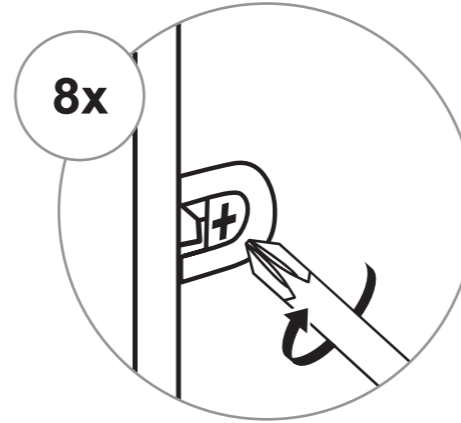
8x



2x

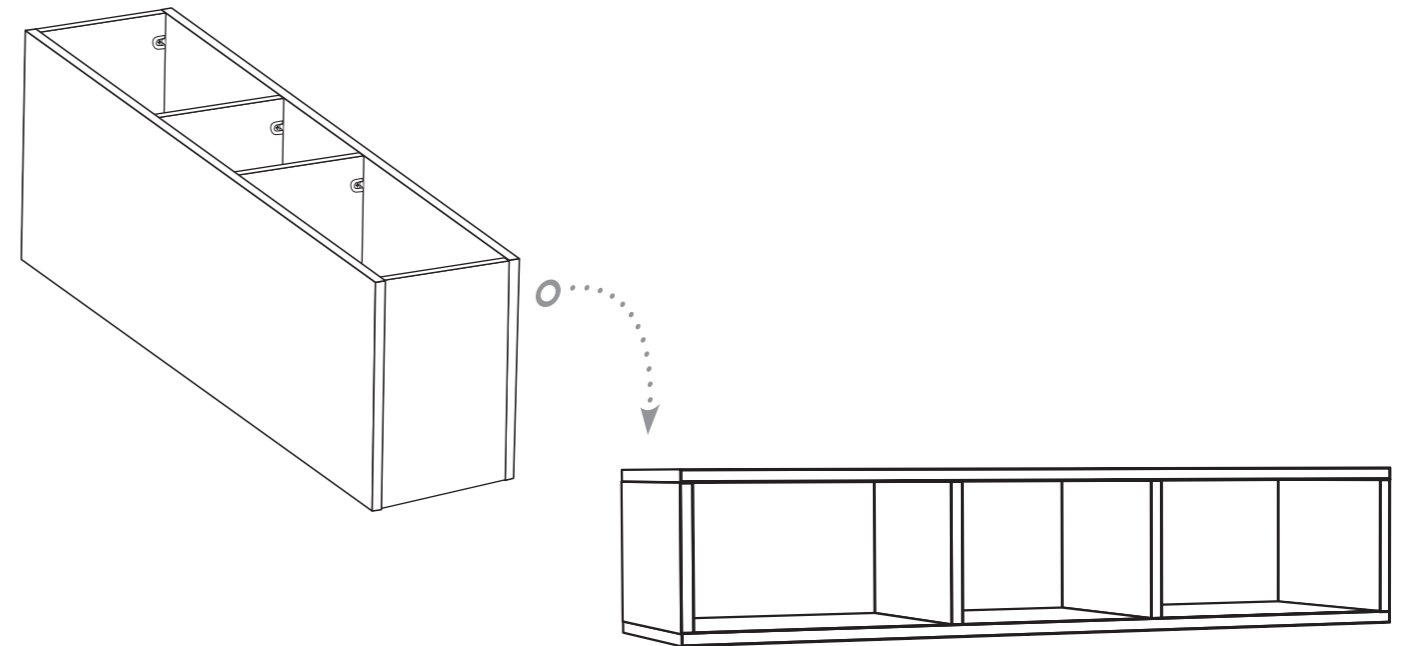
STEP 4

8x



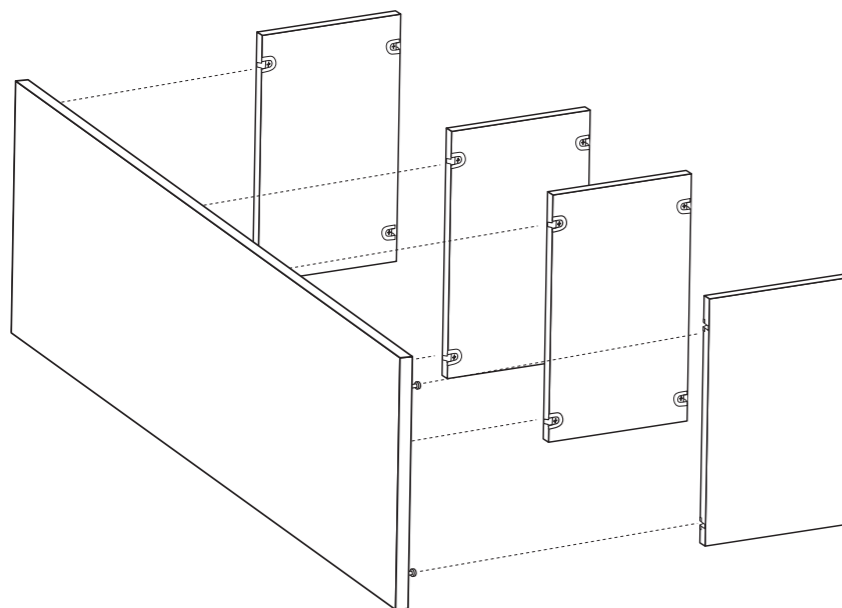
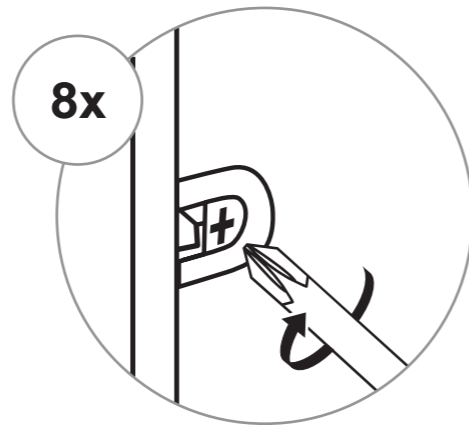
STEP 5

Lay the cabinet down.



STEP 3

8x



WARNING

The assembled cabinet will be heavy.

For your safety, a minimum of two people is recommended to lift the cabinet upright. Bend your knees and lift with your legs - not your back!

LUGNA

FORM & FUNCTION

CABINET CARE INSTRUCTIONS

Everyday care for your cabinets:

Liquid spills should be cleaned up as they occur. Liquids and other damp objects, i.e. towels, will eventually cause permanent damage should they be left unattended.

Everyday clean-up of cabinets can be done with a damp cloth and a dry cloth. Ensure you use a clean cloth every time when wiping down your cabinets, as foreign dirt, grease, and oils may inadvertently be transferred to the surface.

Cleaning melamine products:

Oils, grease, and other soils that do not respond to water can be removed with a solution of mild soap and water. The surface should be rinsed immediately with a clean, damp cloth and dried thoroughly with a soft cloth to avoid streaking or moisture seeping into the seams around the edges.

PLEASE NOTE: Never use abrasive cleaners, ammonia, bleaching agents, scouring pads or powdered cleaners on any type of cabinetry.

Cleaning cabinet hardware:

Brass and Silver cleaners are not recommended for cleaning handles. Some of these cleaning solutions contain harsh chemicals that may damage the finish on your handles.

Wash your hardware with a solution of warm water and a small amount of mild dish detergent. Dry your hardware and areas around the cleaned area immediately.

Hinges can be cleaned with a dry cloth or cotton-tipped swab.